

# FURUTECH

PURE TRANSMISSION



Make A More Powerful Connection With  
Furutech Pure Transmission Technology



*Refinement Has a New  
Name... the Furutech  
Torque Guard Speaker  
Binding Posts*

*Premier Performance and  
Legendary Build Quality*

## ***Furutech Torque Guard Speaker Binding Posts Model FT-808***

All audiophiles search for the same qualities: Verisimilitude to the original event, a sense of engagement promoting suspension of disbelief, a visceral immersion in the audio video experience. They also know that everything in the signal path makes a difference, and that includes speaker binding posts.

This critical connection often proves the weakest link in the quest for tight, low-distortion signal. Change your cables a few times and speaker binding posts can loosen. It's bad enough in modestly-priced speakers where the simple remedy is to unscrew the back plate and tighten the offending nut. With expensive stand-mounted monitors or larger, more costly speaker systems why take the risk? The Torque Guard binding post sits at the very highest rung of build quality and musical performance, maintaining the tightest, most noise-free and undistorted signal path possible.

Furutech's beautifully finished, beautiful sounding Torque Guard Binding Posts are the result of meticulous engineering and careful audition of various suitable materials. The FT-808 features an  $\alpha$  (Alpha) pure copper conductors for minimal impedance and substantially-built extremely nonresonant carbon fiber, nonmagnetic stainless steel and eutectic copper alloy housings. The unique patent-pending Torque Guard technology, which prevents over-tightening, allows each post to be evenly tightened for improved channel balance and signal transfer.

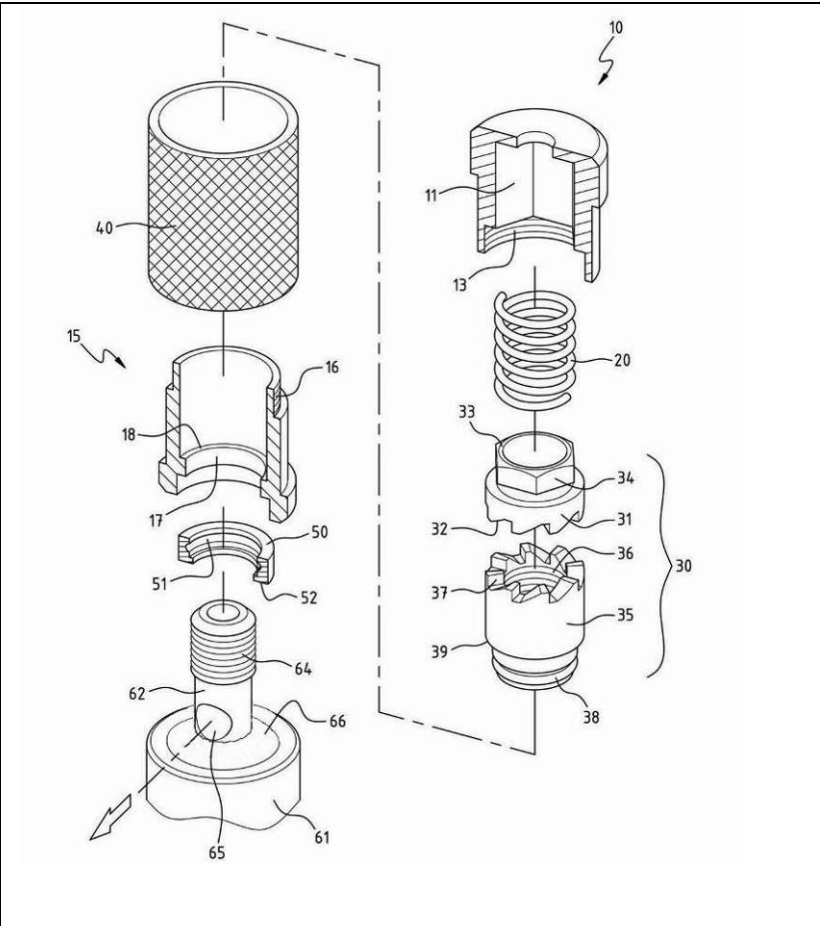
### ***Features and Materials***

- Patent-pending Torque Guard construction
- Main conductor:  $\alpha$  (Alpha) Pure Copper conductor Rhodium or 24k Gold plated
- Housing: Carbon fiber, nonmagnetic stainless, eutectic copper alloy
- Nylon (red/white) and Polycarbonate (clear) insulation
- Torque Guard thread made from POM plastic injection molding for improved damping
- Connections: Soldered or set-screw (Max. torque: 100cN • m)
- Specially designed wire compression construction to ensure stranded wire conductor contact stability.
- Specified for core diameters up to 4.5mm (strand wire) / 5.5mm (Solid wire)

**Dimensions:** Housing: 25.0  $\phi$  x 30.2mm (L) x 37.4mm overall length

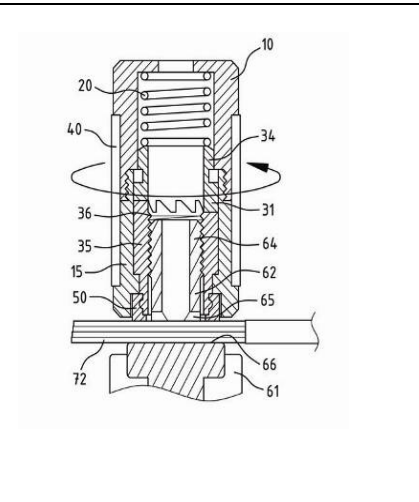
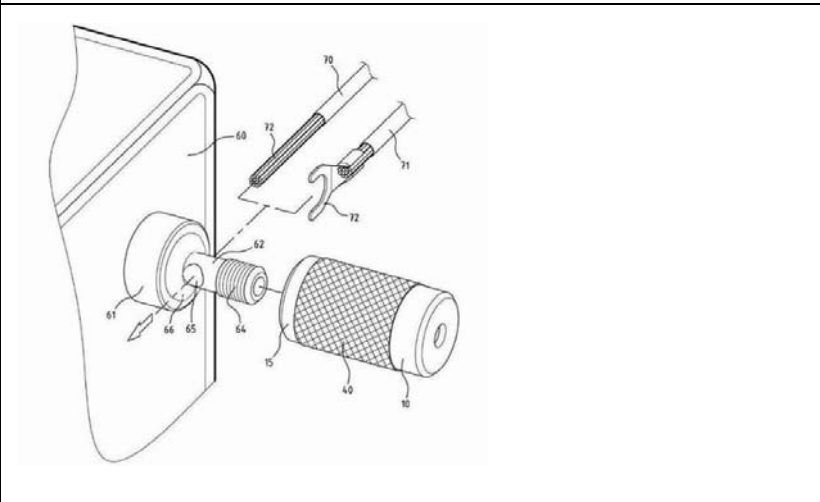
Insulation: Polycarbonate (Clear) 19.1  $\phi$  x 7.3mm(H),



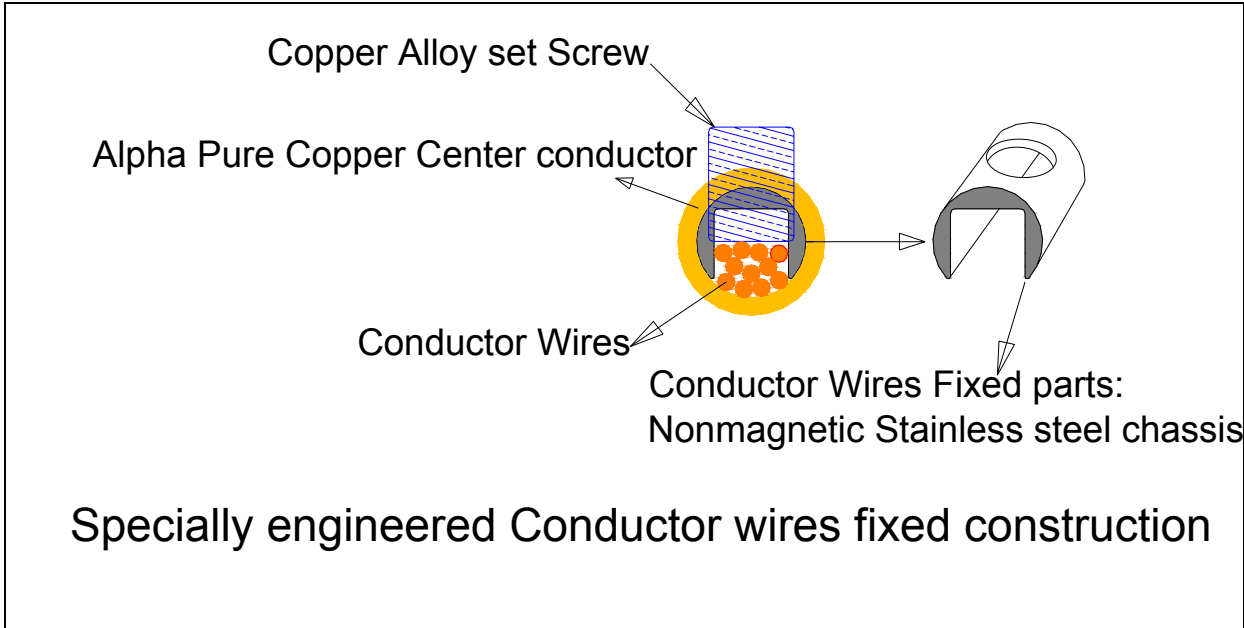


Exploded view  
 (20) Torque Spring

(30) The toothed surface moves the connector and if going beyond the Torque Spring's rating, the binding post no longer tightens.



Specially designed wire compression clamp construction



**Make a More Powerful Connection with Furutech!**

FURUTECH CO., LTD • [service@furutech.com](mailto:service@furutech.com) • [www.furutech.com](http://www.furutech.com)



Reference III Wins Absolute Sound Editors' Choice '07/'08  
 Ag-12 Phono Cable Wins Tone Audio's Exceptional Value Award '08  
 HDMI xv1.3 Digital Cable Wins Positive Feedback's Brutus Award '08  
 Monza LP Stabilizer/Weight Wins Positive Feedback's Brutus Award '09  
 Select Series Fuses Win Positive Feedback's Brutus Award '09

